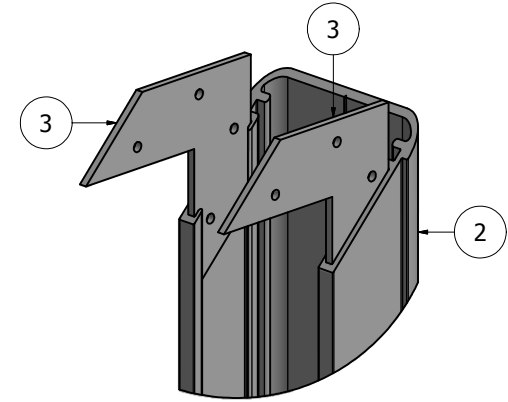
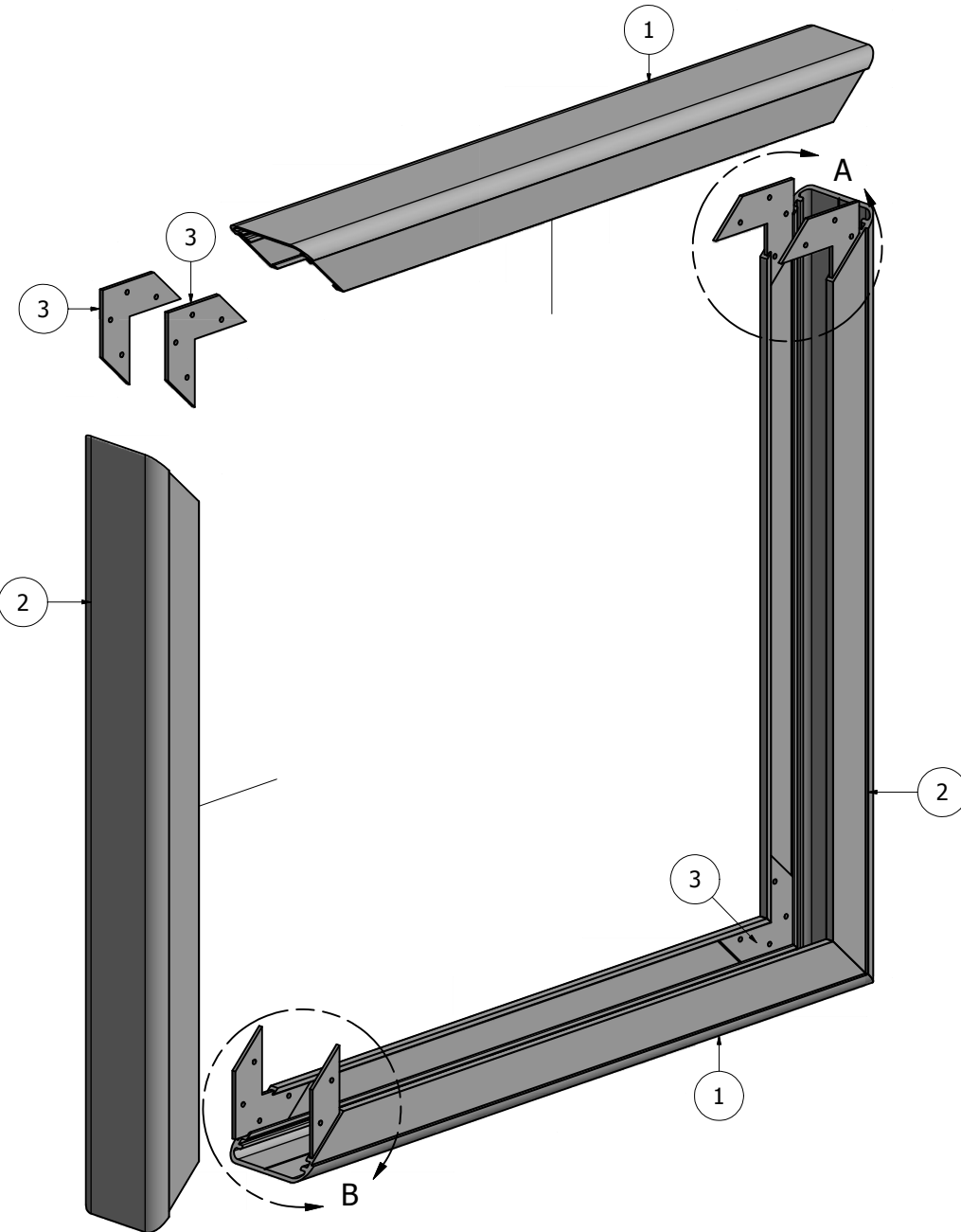


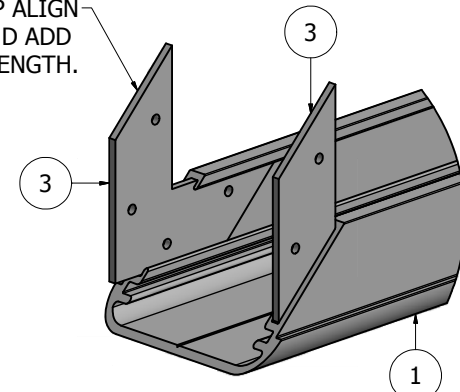
PARTS LIST			
ITEM	PART#	DESCRIPTION	NOTES
1	1280	Series 3 1-4 Round Body	Top & Bottom
2	1280	Series 3 1-4 Round Body	Sides
3	5210	Corner Key	

*NOTE: 1/4 ROUND BODY IS DESIGNED TO BE WELDED.



DETAIL A

CORNER KEYS HELP ALIGN THE MITRES AND ADD ADDITIONAL STRENGTH.



DETAIL B

NOTE: PRE-CUT KITS ARE NOT PRE-DRILLED.

(Holes shown in this drawing are for reference only. Drilling of pilot holes are to be done by fabricator.)

THIS DRAWING WAS CREATED AT NO CHARGE TO ASSIST YOU IN VISUALIZING OUR PROPOSAL. THE DRAWING HEREIN IS THE PROPERTY OF SIGNCOMP. PERMISSION TO COPY OR REVISE THIS DRAWING OR TO USE THIS DRAWING FOR PRODUCTION IS STRICTLY PROHIBITED AND CAN ONLY BE COPIED, REVISED OR USED FOR PRODUCTION WITH THE EXPRESSED WRITTEN PERMISSION OF SIGNCOMP.

DRAWN	SBreihof	8/1/2012	SignComp	
Centroid X:	0.000 in			
Centroid Y:	0.000 in		TITLE	
Principal Moments Ix:	0.000 in ⁴		DWG NO	
Principal Moments Iy:	0.000 in ⁴		Series 3 - 1-4 Round Body	
Section Modulus Ix:	0.000 in ³			
Section Modulus Iy:	0.000 in ³		SHEET 1 OF 1	